

STERLING



STERLING MODELS

ACTERRA



7501



**9513
& 9522**



**LT9511,
L/LT8500.**

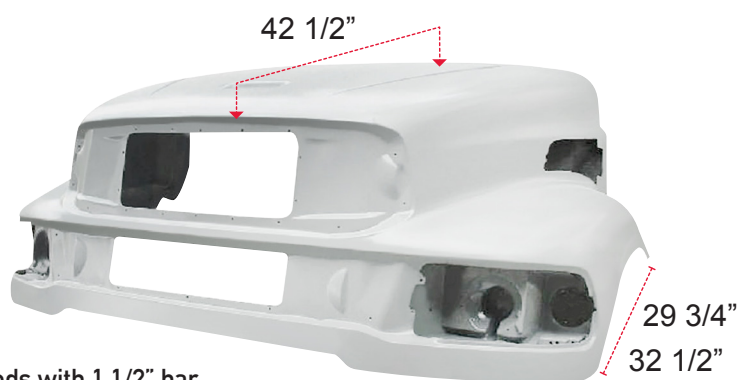




01 HOODS **02 EXTENSIONS**

THIS IS A TITAN HOODS AFTERMARKET REPLACEMENT PART AND IT IS IN NO WAY AFFILIATED OR SOURCED FROM OR FOR THE OEM MANUFACTURER.

01 HOODS



S0660A

Sterling Acterra.
2000 and up.

Short fender Hood.

Lower bar can be trimmers to fit hoods with 1 1/2" bar

Upper and Lower grill. Side air intake has three openings Short lip hood lower bar is 1. #A17-13643-000 & #A17-13643-001. Tall lip hood lower bar is 3 inches. Wheel opening is 32 1/2" inches. #A17-13643-003, #A17-14166-003 & #A17-13643-002.

OEM Number: A17-13643-003, A17-14166-003, A17-13643-002.

S0660B

Sterling Acterra

2000 and up.

Long fender hood.

Wheel opening is 29 3/4" inches.

Upper and Lower grill.

Side air intake has three openings.

BUYING THE RIGHT PART: TO THE BEST OF OUR KNOWLEDGE, ALL CROSS REFERENCE, APPLICATION INFORMATION AND PHOTOS ARE ACCURATE.

02 EXTENSIONS



S0660R

Sterling acterra
fender extension RH.



S0660L

Sterling acterra
fender extension LH.

STERLING

7501 (1998 AND UP)

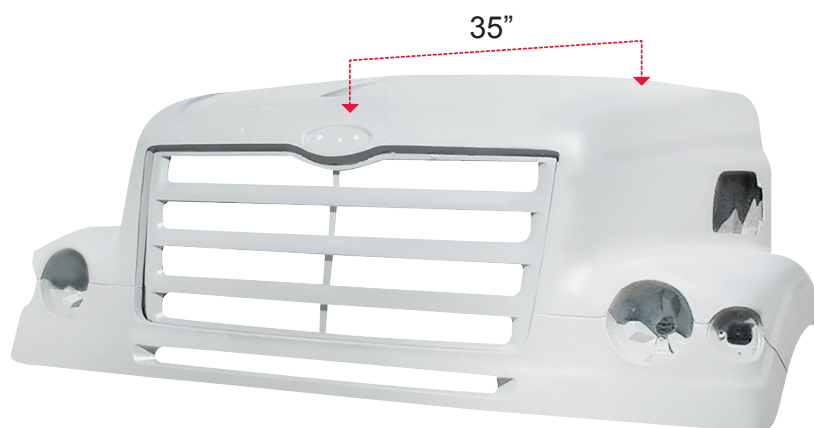
S-2



- 01** HOODS
- 02** GRILLES
- 03** EXTENSIONS

THIS IS A TITAN HOODS AFTERMARKET REPLACEMENT PART AND IT IS IN NO WAY AFFILIATED OR SOURCED FROM OR FOR THE OEM MANUFACTURER.

01 HOODS



S0360A

Sterling 7501

1998 and up.

Round headlights.

Breather both sides.

Set Forward Axle.

Will not fit 7500 with square headlights, 8500 or 9500.

OEm Número: A17-13229-002, A17-13229-003 & A17-13229-005.

BUYING THE RIGHT PART: TO THE BEST OF OUR KNOWLEDGE, ALL CROSS REFERENCE, APPLICATION INFORMATION AND PHOTOS ARE ACCURATE.

02 GRILLES

Fiberglass



SG0360A

Sterling 7501 grille fiberglass.

03 EXTENSIONS



S0360R-EXT

Sterling 7501 fender extension RH.

S0360L-EXT

Sterling 7501 fender extension LH.

STERLING

9513 & 9522 (EARLY 1998 AND UP)

S-3



01 HOODS **02** GRILLES

THIS IS A TITAN HOODS AFTERMARKET REPLACEMENT PART AND IT IS IN NO WAY AFFILIATED OR SOURCED FROM OR FOR THE OEM MANUFACTURER.

01 HOODS

COMPOSITE HEADLIGHT WITH GRILLE.

S0260A
Sterling 9513 (46").
1998 and up.
Breather both sides.
Set Back Axle.
Some grilles (early) have L&R air intake duct - same hood.
Composite headlight. Use tall grille (fiberglass).
OEM Number: A17-13234-010, A17-13232-004, A17-13222-001, A17-15931-004, A17-13234-000.

S0160A-WOG
Sterling 9522 (55").
1998 and up.
Breather both sides.
Set Back Axle.
Some grilles (early) have L&R air intake duct - same hood.
Composite headlight. Without grille.
OEM Number: A17-13235-002, A17-13236-006, A17-13236-009, F8HZ 16000 UA.

S0160A
Sterling 9522 (55").
1998 and up.
Breather both sides.
Set Back Axle.
Some grilles (early) have L&R air intake duct - same hood.
Composite headlight. Use tall grille (fiberglass).
OEM Number: A17-13235-002, A17-13236-006, A17-13236-009, F8HZ 16000 UA.

S0260A-WOG
Sterling 9513 (46").
1998 and up.
Breather both sides.
Set Back Axle.
Some grilles (early) have L&R air intake duct - same hood.
Composite headlight. Without grille.
OEM Number: A17-13234-010, A17-13232-004, A17-13222-001, A17-15931-004, A17-13234-000.

COMPOSITE HEADLIGHT WITHOUT GRILLE.



SEAL BEAM HEADLIGHT WITH GRILLE

S0160B
Sterling 9522 (55").
1998 and up.
Breather both sides.
Set Back Axle.
Some grilles (early) have L&R air intake duct - same hood.
Seal Beam headlight. Use short grille (fiberglass).

S0260B
Sterling 9513 (46").
1998 and up.
Breather both sides.
Set Back Axle.
Some grilles (early) have L&R air intake duct - same hood.
Seal Beam headlight. Use short grille (fiberglass).

S0160B-WOG
Sterling 9522 (55").
1998 and up.
Breather both sides.
Set Back Axle.
Some grilles (early) have L&R air intake duct - same hood.
Seal Beam headlight. Without grille.

S0260B-WOG
Sterling 9513 (46").
1998 and up.
Breather both sides.
Set Back Axle.
Some grilles (early) have L&R air intake duct - same hood.
Seal Beam headlight. Without grille.

SEAL BEAM HEADLIGHT WITHOUT GRILLE

BUYING THE RIGHT PART: TO THE BEST OF OUR KNOWLEDGE, ALL CROSS REFERENCE, APPLICATION INFORMATION AND PHOTOS ARE ACCURATE.

02 GRILLES

Fiberglass



SG010260
Sterling 9513/9522 tall grille fiberglass.

**TALL GRILLE
HOODS WITH COMPOSITE HEADLIGHT.**

**S0160A S0160A-WOG
S0260A S0260A-WOG**

Fiberglass



SG010260-S
Sterling 9513/9522 short grille fiberglass.

**SHORT GRILLE
HOODS WITH SEAL BEAM HEADLIGHT.**

**S0160B S0160B-WOG
S0260B S0260B-WOG**

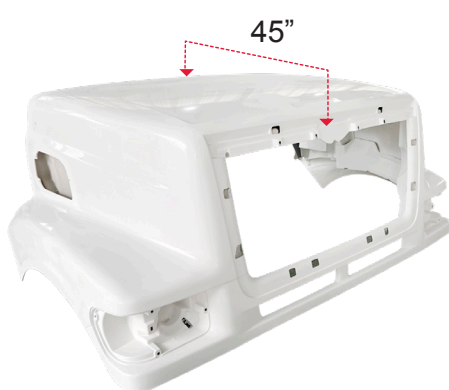
LT9511, L/LT8500 (1998 AND UP)



01 HOODS 02 GRILLES

THIS IS A TITAN HOODS AFTERMARKET REPLACEMENT PART AND IT IS IN NO WAY AFFILIATED OR SOURCED FROM OR FOR THE OEM MANUFACTURER.

01 HOODS



S0460A-WOG

Sterling LT9511, L/LT8500.

1998 and up.

Set Forward Axle.

Square seal beam headlights.

Square shape grille.

111" BBC.

Only fits the hoods with overlay grille.

Use grille OE number 17-14089-000.

Without grille.

OEM Numero:A17-13219-001,
A17-16154-000, A17-13231-012,
A17-13231-000, A17-13231-019,
FGHZ16000ZB.



S0460A

Sterling LT9511, L/LT8500.

1998 and up.

Set Forward Axle.

Square seal beam headlights.

Square shape grille.

111" BBC.

Only fits the hoods with overlay grille.

Use grille OE number 17-14089-000.

With grille.

OEM Numero:A17-13219-001,
A17-16154-000, A17-13231-012,
A17-13231-000, A17-13231-019,
FGHZ16000ZB.

BUYING THE RIGHT PART: TO THE BEST OF OUR KNOWLEDGE, ALL CROSS REFERENCE, APPLICATION INFORMATION AND PHOTOS ARE ACCURATE.

02 GRILLES

Fiberglass



SG0460A

Sterling LT9511, L/LT8500

Grille fiberglass.



TITANHOODS

TRACTOCAMIONES Y REPRESENTACIONES S.A. DE C.V.
COFRES Y PARTES DE COLISION · HOODS AND COLLISION PARTS

www.titanhoods.com.mx